

# BSI

Batching Systems, Inc.

[www.BatchingSystems.com](http://www.BatchingSystems.com)



## Mission Statement

*To excel in providing cost-effective solutions to the "Batching and Packaging" needs of our customers, through highly engineered and customized systems that offer reliable and precise count accuracy, while at the same time providing maximum operational flexibility. This we will achieve by adopting a management philosophy of continuous improvement, with emphasis on total employee involvement, which recognizes our employees as our business partners and our greatest asset.*

[www.Bagging.com](http://www.Bagging.com)

## Bagmaster® "F" Series Bagger



Bagmaster® F-178-6



Bagmaster® F-180-9

## Flat Web Style V-F-F-S Bagger

Bagmaster® bagging machines are specifically designed and engineered for heavy duty applications. They come standard with an Allen Bradley PLC controller and are designed for use with poly and supported clear or pre-printed films. The seal, cut and strip process ensures high quality production performance. The F-Series can be integrated with Batchmaster® Counters or FAW scales to form a turnkey packaging system.

### Standard Features:

- Welded steel tubular frame, painted "steel-it grey"
- NEMA 12 enclosure
- Motor driven film advance
- Jaw safety circuit (emergency release)
- Impulse-type horizontal & vertical sealing, electronic controls
- Knife cut-off
- Equipped for water cooling
- All electronic controls to enable the machine to run in an automatic or semi-automatic mode, complete with circuitry to work jointly with auxiliary filling equipment
- Guards and covers with safety interlocks
- Allen Bradley PLC controller, and panel view touch screen
- Bag air expeller
- End of film sensor
- Product drop impact staging device
- Film registration
- Forming Tube Set, to include tube, shoulder and mounting plate

# BSI

## Batching Systems, Inc.

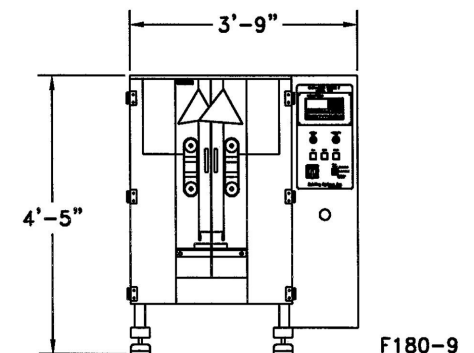
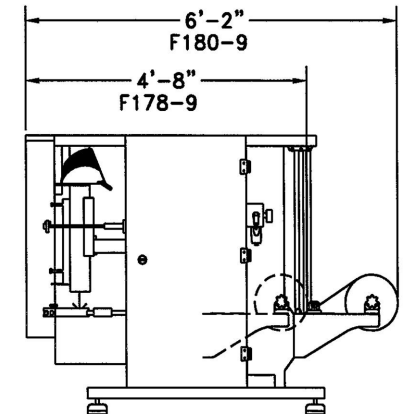
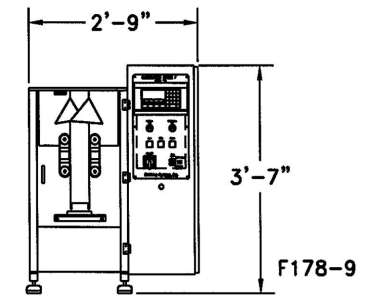
[www.BatchingSystems.com](http://www.BatchingSystems.com)



*Applications: Hardware, Plastic, Toy, Hobby, Chemical, Electronic, Medical, Pharmaceutical, and many more heavy-duty applications*



**Bagmaster® F-180-9**



**Power Requirements:**

220 VAC, 3 Phase, 60 Hz @ 10 Amps

**Air Requirements:**

80-100 psi, clean dry air

**Footprint:**

- F-178-6: 2' 9" wide x 4' 8" deep x 3' 9" tall
- F-180-9: 3' 9" wide x 6' 2" deep x 4' 10" tall
- F-180-12:

**Bag Sizes:**

- F-178-6: up to 6" wide x 10" long (per index)\*
  - F-180-9: up to 9" wide x 12" long (per index)\*
  - F-180-12: up to 12" wide x 18" long (per index)\*
- \*Unlimited vertical seal length with continuous vertical sealer*

**Flat Stock Role Specifications:**

Up to 20" diameter  
3" core

**Options:**

- |                         |                 |
|-------------------------|-----------------|
| Header Card Attachment  | Electric Eye    |
| Hole Punch              | Third Seal      |
| Heavy Bag Support Shelf | Cellular Bags   |
| In-line Printer         | Flat Bottom Bag |
| Perforation             | Tear Notch      |