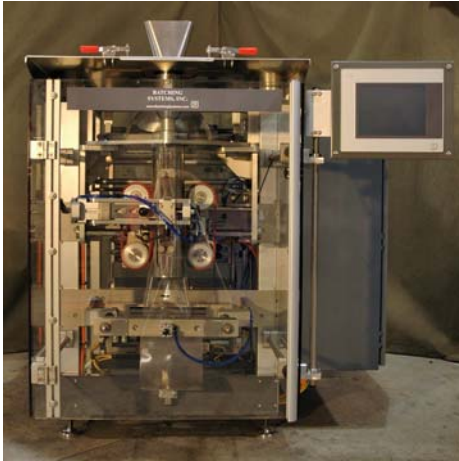


## Bagmaster® 250 VFFS Machine



Bagmaster® 250 Bagger

The **Bagmaster® 250** Vertical Form Fill and Seal Bagging Machine is a state of the art, high speed bagging system that makes bags out of flat stock film, with the bag formed around the product. It is designed and engineered for use in non-food as well as food applications and uses polyethylene and supported clear or pre-printed films.

### **Bagmaster® VFFS Bagging Machine Benefits:**

- Servo driven film feed
- Horizontal seal system
- Operator friendly
- Low overall height
- Lift-off machine guarding
- Easy access to interior of machine
- Same forming set can produce pillow or gusseted bag styles
- Produces bags 1.5-9.8” wide and up to 15.75” long single stroke, depending on the model
- Designed for use in non-food as well as food applications

The **Bagmaster®** controls architecture has been implemented in accordance with PackML and PackML Tags to provide standardized integration of upstream and downstream equipment. All of this leads to improved system performance and Overall Equipment Effectiveness for the end-user.

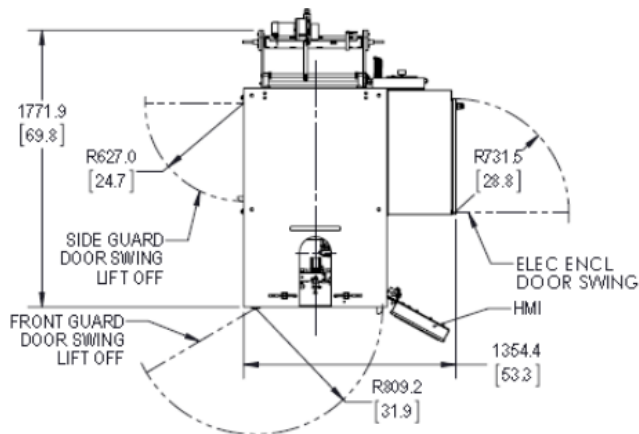
### **Bagmaster® VFFS Machine Standard Features:**

- Configured to meet NEMA 12 (IP52) standards
- Robust open frame design provides excellent access to the machine interior
- Web transport system with servo motor driven friction pull belts
- Quick-opening pull belt mechanism (pneumatically operated) for ease of material set-up and size change-over
- Machine control via 10.4” color touch screen. Includes intuitive operator guidance, fault diagnostics with help text for trouble shooting, and production data acquisition. Program memory for 100 production recipes
- Servo driven cross jaw movement
- Product-in-jaw feature brings the machine to a stop if the seal bars do not close completely
- Constant / resistance heat sealing system
- Single film reel support with pneumatic film reel spindle
- Motor powered packaging material unwind at rear of machine controlled via position monitoring of the dancer arm provides material infeed with precise web tension control
- Semi-automatic web tracking adjustment (left/right correction) via touch screen powered by a DC gear motor
- Forming set for one bag size; various bag styles available
- Electrical synchronization for dosing system (weigher, counter, auger, etc.)

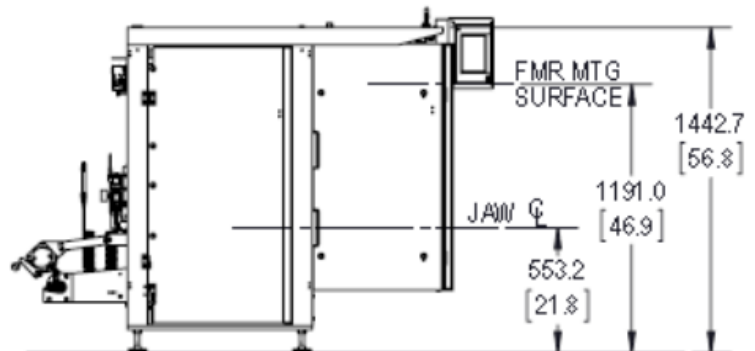
# BSI

## BATCHING SYSTEMS, INC.

Specializing in Counted Product Filling Equipment



Machine Footprint - Top View



Machine Footprint - Side View

### Technical Specifications:

#### Machine Dimensions

Width: 1,354mm (53")  
 Depth: 1,956mm (77") - with max. Ø film roll  
 Height: 1,443mm (57")

#### Package Dimensions

Flat bag: width min. 60mm (2.4"), max. 250mm (9.8")  
 Stand-up: width min. 40mm (1.5"), max. 220mm (9.0")  
 depth 25mm - 105mm (1" - 4")  
 width + depth 250mm maximum (9.8")  
 Bag length: 75mm - 400mm (3" - 15.75")

#### Machine Speed\*

Up to 100 bpm  
 \*speeds are product and film dependent

#### Air Consumption\*

8 SCFM @ 80 PSI  
 \*will vary based on options

#### Pneumatics

Festo valve bank operated via field bus

#### Machine Weight

Approximately 1,400 lbs.

#### Packaging Material

Film width: 510mm maximum (20")  
 Outside roll diameter: 508mm maximum (20")  
 Roll core diameter: 73-77mm (3")

#### Power Consumption

220/480/575V, 1PH, 60Hz or  
 220-575, 3PH, 60Hz 7KVA

#### Machine Control & Operator Interface

Power Panel 500 with Intel Atom Z510 processor  
 and 265mm (10.4") color touch screen

#### Proximity Sensors

Operated via field bus

### **Bagmaster® VFFS Machine Standard Options:**

*Programmable warning beacon; Automatic web tracking; Side gusset device; Flat-bottom bag device; Tear notch device for easy bag opening; Hole punch (round, sombrero, etc.); Poly seal system (impulse); Anti-static bar and nozzle options; Adjustable bag discharge chute; Bag support and eject unit at discharge; Gas flush accessories with integrated controls; Filling tube dust extraction; Air relief film perforator; Integration of a variety of thermal transfer printers; Additional emergency stop switch at rear of machine; cUL listed electrical control panel; Photoelectric registration mark sensor; Air expeller; Product catch plates mounted atop cross seal jaws; Product drip pan above machine; Frame extensions to increase machine height*