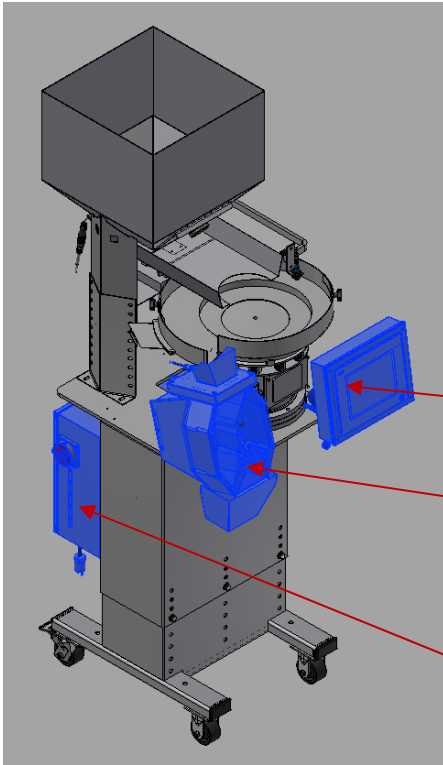


Batchmaster® Upgrades—Counter

Tired of costly repairs?

Need more equipment up-time and higher throughput?



Batching Systems, Inc. provides upgrades that are half the price of new equipment.

In today's industrial environment upgrading equipment increases process performance in very discernible ways – from increased capacity and reduced energy costs to higher efficiency and decreased maintenance and downtime. These are precisely the types of advantages you can expect to experience after upgrading your existing counting system to the latest **Batchmaster®** IV control and batching platform.

Each upgrade includes:

- Large, industrial 10.4" color HMI with intuitive program for operator ease of use
- Large 2-gate part processing unit or 5-gate version (includes reject capability) which is stepper motor drive eliminating mechanical linkages and the need for compressed air. Each is supplied with our latest version patented dual view scanner that scans at up to 6,000 scans per second.
- State-of-the-art electrical control package eliminates costly controller and driver repairs. Electrical control panel available with cUL listing.

Batchmaster® IV Upgrade Package

The **Batchmaster®** IV Counter is a state of the art, high speed counting system that provides high accuracy.

Batchmaster® IV Benefits:

Flexibility - batch a wide variety of product accurately with no changeover parts

Versatility - system integration to any type of packaging machine. Designed for short or long production runs and a wide range of product without tool changes

Count Accuracy – verify by volume and account for out-of-tolerance product by rejecting the batch before entering the packaging machine

Volumetric Accuracy - routinely exceeds multi-head weigher performance

Quick Changeover— typical product changeover of 2 minutes or less

Cost Savings - decrease or eliminate product giveaway with this new patented precision filling technology

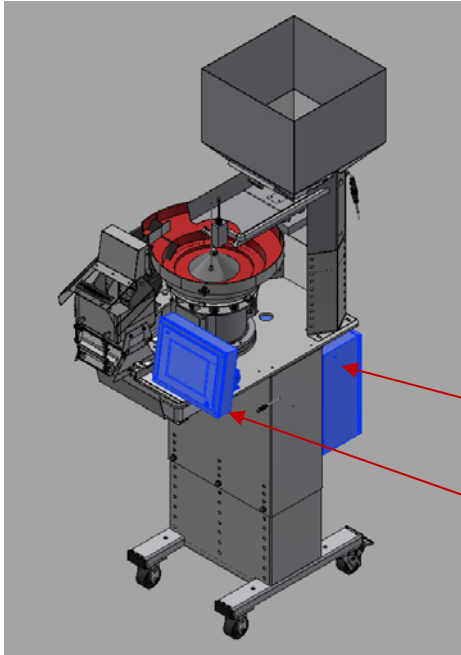
Value - increased output of up to 100's of batches per minute

VMAS Technology - Verified Movement & Speed of all mechanical movements via a true closed loop system, making this equipment easily validated

Batchmaster® Upgrades—Fast Automatic Weigher

Tired of costly repairs?

Need more equipment up-time and higher throughput?



Batching Systems, Inc. provides upgrades that are half the price of new equipment.

In today's industrial environment upgrading equipment increases process performance in very discernible ways – from increased capacity and reduced energy costs to higher efficiency and decreased maintenance and downtime. These are precisely the types of advantages you can expect to experience after upgrading your existing **Batchmaster®** Fast Automatic Weigher (FAW) to the latest **Batchmaster®** control and batching platform .

Each upgrade includes:

- State-of-the-art electrical control package eliminates costly controller and driver repairs. Electrical control panel available with cUL listing.
- Large, industrial 10.4" color HMI with intuitive program for operator ease of use.

Batchmaster® FAW Upgrade Package

The **Batchmaster®** Fast Automatic Weigher (FAW) is a state of the art, high speed weighing system that provides high accuracy.

Batchmaster® FAW Benefits:

Flexibility - weigh a wide variety of parts on a single product weighing system

Versatility - system integration to any type of packaging machine. Designed for short or long production runs and a wide range of product

Speed—continuous product feeding for up to 25 cycles per minute

Accuracy – high resolution weigh cell plus auto reject of out of tolerance batches before they are packaged

Quick Changeover— typical product changeover of 2 minutes or less without tools

Ergonomics—eliminate costly repetitive motion injuries by automating your process

Cost Savings - decrease or eliminate labor, waste, and rework

Value - increased output for all your filling needs resulting in cost effective, efficiently filled packages

High Speed Electronics—calculate weight in real time while filtering out noise and vibration

Software—monitoring of all gate motions, quicker set-ups, and capability to weigh count or weigh batches by pounds, ounces, kilograms, or grams