

Bagmaster® “F” Series, Flat Web Style VFFS Machine



Bagmaster® F-178-6 Bagger

The Bagmaster® “F” Series Vertical Form Fill and Seal Bagging Machines are specifically designed and engineered for heavy duty applications. They come standard with an Allen Bradley PLC controller and are designed for use with poly and supported clear or pre-printed films. The seal, cut and strip process ensures high quality production performance. The F-Series can be integrated with **Batchmaster®** Counters or FAW scales to form a turnkey packaging system.



Bagmaster® F-180-9 Bagger



Bagmaster® VFFS Machine Standard Features:

- Welded steel tubular frame, painted “steel-it grey”
- NEMA 12 enclosure
- Motor driven film advance
- Jaw safety circuit (emergency release)
- Impulse-type horizontal & vertical sealing,
- Knife cut-off
- Equipped for water cooling
- All electronic controls to enable the machine to run in an automatic or semi-automatic mode, complete with circuitry to work jointly with auxiliary filling equipment
- Guards and covers with safety interlocks
- Allen Bradley PLC controller, and panel view touch screen
- Bag air expeller
- End of film sensor
- Product drop impact staging device
- Film registration
- Forming Tube Set, to include tube, shoulder and mounting plate

Applications: Hardware, Plastic, Toy, Hobby, Chemical, Electronic, Medical, Pharmaceutical, and many more heavy-duty applications

Technical Specifications:

Footprint

F-178-6: 2' 9" wide x 4' 8" deep x 3' 9" tall
 F-180-9: 3' 9" wide x 6' 2" deep x 4' 10" tall

Bag Sizes

F-178-6: up to 6" wide x 10" long (per index)*
 F-180-9: up to 9" wide x 12" long (per index)*
 F-180-12: up to 12" wide x 18" long (per index)*
**Unlimited vertical seal length with continuous vertical sealer*

Machine Weight

Approximately _____ lbs.

Machine Speed*

Up to _____ bpm
**speeds are product and film dependent*

Power Consumption

208 VAC, 3 Phase, 60 Hz @ 10 Amps

Air Consumption*

80-100 psi, clean dry air
**will vary based on options*

Forming Tubes

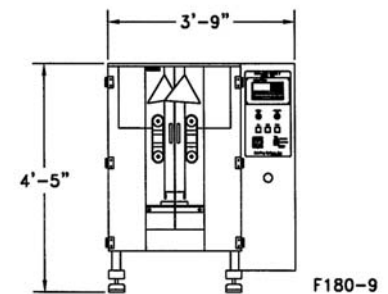
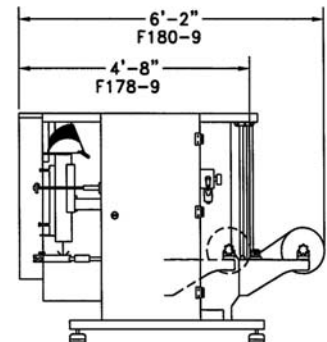
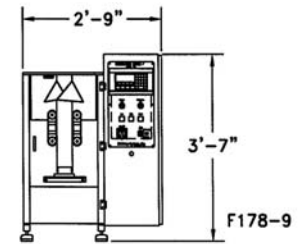
Square, Round, Oval, and Rectangular

Flat Stock Role Specifications

Up to 20" diameter; 3" core

Bagmaster® VFFS Machine Standard Options:

Header Card Attachment, Electric Eye, Hole Punch, Third Seal, Heavy Bag Support Shelf, Cellular Bags, In-line Printer, Flat Bottom Bag, Perforation, Tear Notch



Machine Footprint - Top and Side Views