

Batchmaster® IV Counter



Batchmaster® IV 5 Gate

The **Batchmaster® IV Counter** is a state of the art, high speed counting system that provides high accuracy.

Batchmaster® IV Benefits:

Flexibility - batch a wide variety of product accurately with no change-over parts

Versatility - system integration to any type of packaging machine. Designed for short or long production runs and a wide range of product without tool changes

Count Accuracy – verify by volume and account for out-of-tolerance product by rejecting the batch before entering the packaging machine

Volumetric Accuracy - routinely exceeds multi-head weigher performance

Quick Changeover— typical product changeover of 2 minutes or less

Cost Savings - decrease or eliminate product giveaway with this new patented precision filling technology

Value - increased output of up to 100's of batches per minute

VMAS Technology - Verified Movement & Speed of all mechanical movements via a true closed loop system, making this equipment easily validated

Batchmaster® IV Features:

Patented Dual View Scanner with Part Validation
Variable Electronic Tuning To Run a Wide Range of Parts
Auto Set-Up
Single Counts Run at up To 100's Of Batches per Minute
Partial Accumulation and Split Counts
Multiple Dump Feature
Large 10.4" Color Touch Screen HMI Controls
Semi-Automatic or Integrates To Fill Any Type of Package
Industrial Grade Stainless Steel Stand, Hopper, & Bowl
Bar Code Reading
User Friendly Intuitive Set-Up
High Resolution with 6,000 Scans per Second
Auto Gate Fault Re-Start
Real Time Operational Data
Multi-Language Options
Food Grade and Anti-Static Options

Continuous Run, See Through Operation
Tool-Less Assembly / Disassembly & Changeover
In-Flight Volume Analysis
Closed Loop Stepper Motor Driven Gates
Multi-Chamber Part Processor
Out Of Tolerance Batch Reject (On 5 Gate PPU)
Counts Parts from 1/16" Up To 3" X 7 1/2" Long
Enhanced Geometry Dual Axis Feeder
Improved Auto-Calibration and Dust Filtering
Recipe Management
Verified Motion Control Technology
Self Diagnostics with Remote Capability
Storable Set-Up Parameters of 500 Recipes
Custom Password Lock Outs
UL, cUL, & CE Approved Options

Applications: Aerospace, agricultural, automotive, beauty, candy, crafts, dental, electronics, fasteners, food, hardware, health, hobby, IQF products, jewelry, medical, plastics, sporting goods, toy, and many others

Power Requirements:

120 VAC, 1 Phase, 60 Hz @ 15 Amps

Air Requirements:

No air or gate sensors are required.

All movements controlled and verified with stepper motors

Footprint:

50" deep x 30" to 36" wide

Height varies depending on configuration and adjustment

Part Size Range:

Counts parts from 1/16" up to 3" x 7 1/2"

Depending on size of optics: 50mm, 100mm, or 200mm

Bowls:

24EGV: up to 600 linear inches of feed per minute

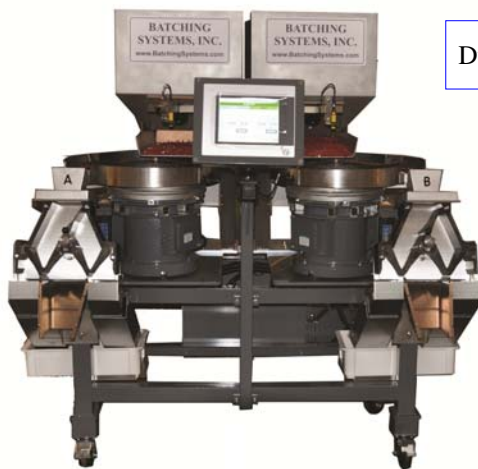
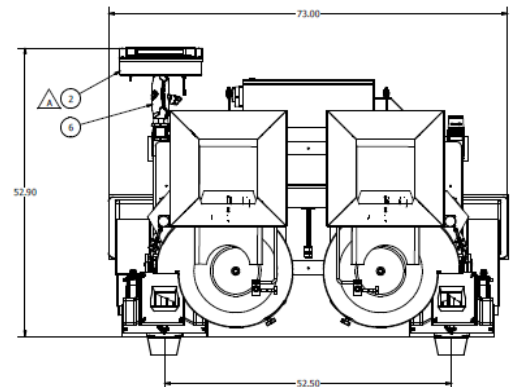
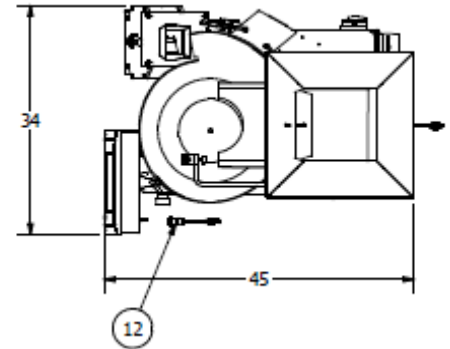
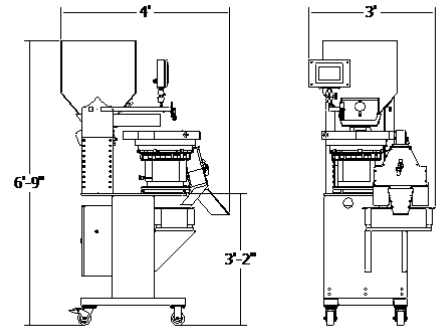
30EGS: up to 300 linear inches of feed per minute

15C/24 OT: up to 250 linear inches of feed per minute

18C/30 OT: up to 250 linear inches of feed per minute

Feed Rate:

- * *BMIV is available in single, dual and belt feed configuration*
- * *BMIV is available in 2 gate or 5 gate configuration*
- * *Bulk feed hopper options are available that are engineered to meet your product and operation requirements*
- * *Electronic upgrades available for existing counting systems. For more information see Upgrades Datasheet*



Dual Batchmaster® IV 5 Gate