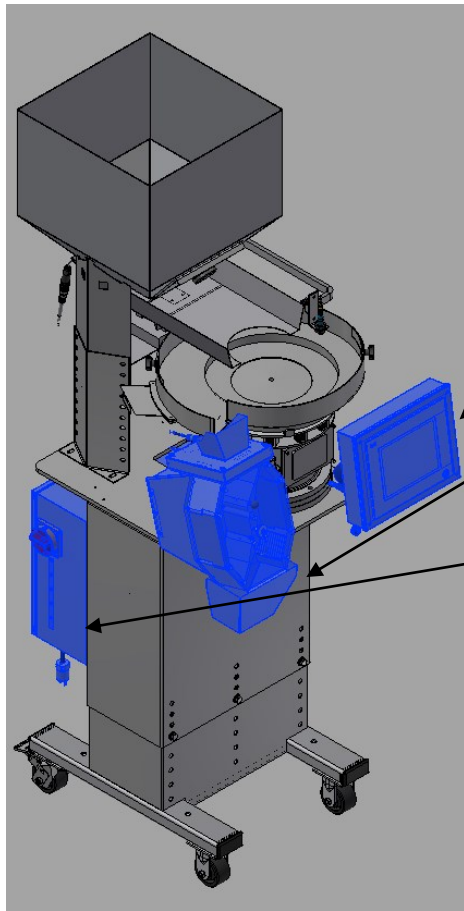


BATCHMASTER® COUNTER UPGRADES



Batching Systems, Inc. provides upgrades that are half the price of new equipment.

In today's industrial environment upgrading equipment increases process performance in very discernible ways – from increased capacity and reduced energy costs to higher efficiency and decreased maintenance and downtime. These are precisely the types of advantages you can expect to experience after upgrading your existing counting system to the latest **Batchmaster®** IV control and batching platform.

Each upgrade includes:

- Large, industrial 10.4" color HMI with intuitive program for operator ease of use
- Large 2-gate part processing unit or 5-gate version (includes reject capability) which is stepper motor drive eliminating mechanical linkages and the need for compressed air. Each is supplied with our latest version patented dual view scanner that scans at up to 6,000 scans per second.
- State-of-the-art electrical control package eliminates costly controller and driver repairs. Electrical control panel available with cUL listing.

Batchmaster® IV Upgrade Package

Batchmaster® Counters are the only counters that utilize **patented** dual view scanners that provide the highest accuracy count possible. Out of tolerance parts are rejected prior to entering a package. The latest **Batchmaster®** IV counter is an accurate high speed counting system that detects and rejects parts one-third smaller or larger than a target part thereby separating the good parts from the bad.

Batchmaster® IV Benefits:

Flexibility - batch a wide variety shapes and sizes of product accurately with no changeover parts

Versatility - system integration to any type of packaging machine. Designed for short or long production runs

Count Accuracy – **patented** Dual View Scanner verifies the 3D volume of each part in real time. Out-of-tolerance product can be rejected before entering the package

Volumetric Accuracy – accumulated volumes routinely exceeds multi-head weigher accuracy and speeds

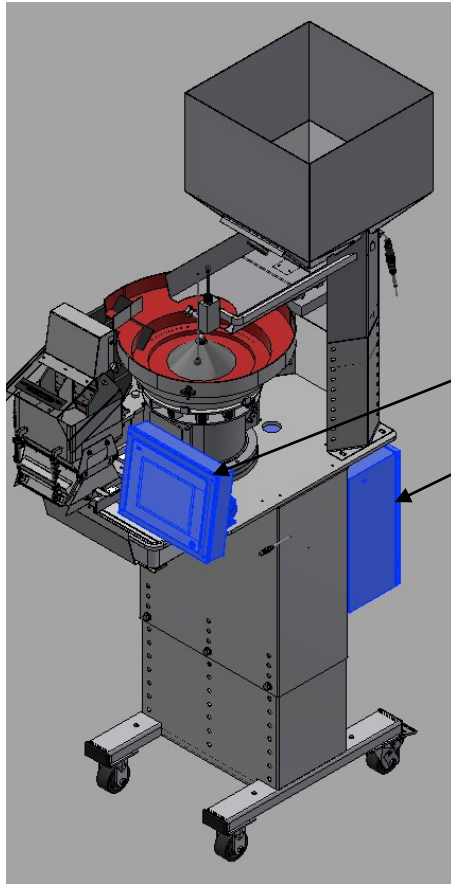
Quick Changeover— typical product changeover of 2 minutes or less. Recipe set ups can be saved on system or remote network. Bar code scanner can be added for quicker loading of saved recipes

Cost Savings – virtually no wear parts, servo motors with no linkages, decrease or eliminate product giveaway with this new patented precision filling technology

Value - increased output, 2 to 3 times faster than other counters on the market. Can count at over 100 batches per minute

VMAS Technology - Verified Movement & Speed of all mechanical movements via a true closed loop system, making this equipment easily validated

WEIGHMASTER™ FAW UPGRADES



Weighmaster™ FAW Upgrade Package

Batching Systems, Inc. provides upgrades that are half the price of new equipment.

In today's industrial environment upgrading equipment increases process performance in very discernible ways – from increased capacity and reduced energy costs to higher efficiency and decreased maintenance and downtime. These are precisely the types of advantages you can expect to experience after upgrading your existing **Weighmaster™** Fast Automatic Weigher (FAW) to the latest **Weighmaster™** control platform.

Each upgrade includes:

- Large, industrial 10.4" color HMI with intuitive program for operator ease of use.
- State-of-the-art electrical control package eliminates costly controller and driver repairs. Electrical control panel available with cUL listing.

The **Weighmaster™** FAW is a single head bowl fed scale capable of accurately delivering finished batches at rates that meet or exceed bulky dual head in-line scales in a much smaller, portable footprint. High output speeds result from **patented** dual chamber accumulation, while outstanding accuracy is due to our unique out of tolerance batch reject system.

Weighmaster™ FAW Benefits:

Flexibility – small foot print that can weigh a wide variety of parts shapes and sizes with no tooling. Weigh “count” or weigh batches by pounds, ounces, kilograms, or grams

Versatility - system integration to any type of packaging machine. Designed for short or long production runs and a wide range of product. Many configurations for different filling applications, boxes, totes, jars, bags, clamshells, blister packs

Speed—continuous product feeding with **patented** pre accumulation during top off allows the FAW to run twice as fast as single head tray feeders. Up to 25 cycles per minute. Multiple systems can be linked together for additional speed

Accuracy – high resolution weigh cell plus auto reject of out of tolerance batches before they are packaged. Standard accuracy is -0 plus less than .5%

Quick Changeover— typical product changeover of 2 minutes or less without tools. Recipe set ups can be saved on system or remote network. Bar code scanner can be added for quicker loading of saved recipes

Ergonomics—eliminate costly repetitive motion injuries by automating your process. Reduce heavy lifting

Cost Savings - decrease or eliminate labor, waste, and rework

Value - increased output for all your filling needs resulting in cost effective, efficiently filled packages

State of the art electronics - calculate weight in real time while filtering out noise and vibration. Touch screen industrial HMI with simple controls for easy operation