

## WEIGHMASTER® FAST AUTOMATIC WEIGHER



Weighmaster® FAW24

The Weighmaster® FAW is a single head bowl fed scale capable of accurately delivering finished batches at rates that meet or exceed bulky dual head in-line scales in a much smaller, portable footprint. High output speeds result from **patented** dual chamber accumulation, while outstanding accuracy is due to our unique out of tolerance batch reject system.

### Weighmaster® FAW Benefits:

- Flexibility** – small foot print that can weigh a wide variety of parts shapes and sizes with no tooling. Weigh “count” or weigh batches by pounds, ounces, kilograms, or grams
- Versatility** - system integration to any type of packaging machine. Designed for short or long production runs and a wide range of product. Many configurations for different filling applications, boxes, totes, jars, bags, clamshells, blister packs
- Speed**—continuous product feeding with **patented** pre accumulation during top off allows the FAW to run twice as fast as single head tray feeders. Up to 25 cycles per minute. Multiple systems can be linked together for additional speed
- Accuracy** – high resolution weigh cell plus auto reject of out of tolerance batches before they are packaged. Standard accuracy is -0 plus less than 0.7%
- Quick Changeover**— typical product changeover of 2 minutes or less without tools. Recipe set ups can be saved on system or remote network. Bar code reader can be added for quicker loading of saved recipes
- Ergonomics**—eliminate costly repetitive motion injuries by automating your process. Reduce heavy lifting
- Cost Savings** - decrease or eliminate labor, waste, and rework
- Value** - increased output for all your filling needs resulting in cost effective, efficiently filled packages
- State of the art electronics** - calculate weight in real time while filtering out noise and vibration. Large 10.4” Industrial touch screen with simple control settings for easy operation

### Weighmaster® FAW Features:

- Auto-Calibration
- Bar Code Reading
- Calculate Weight in Real Time While Filtering out Noise and Vibration
- Continuous Product Feeding for up to 25 Cycles per Minute
- Custom Password Lock Outs
- Dual Output, Dual Amplitude Bowl
- Easy to Understand Friendly Operator Interface
- Industrial Grade Stainless Steel Bowl, Hopper, & Stand
- Integrated controls and Remote Network Capability
- Large 10.4” Color Touch Screen Display
- Most Efficient for 50 Piece Counts and Higher
- Most Efficient for Weight of 10 Ounces up to 12 Pounds
- Multi-Language Options
- Out of Tolerance Batch Reject
- Patented** Dual Chamber Product Accumulation
- Precision Weigh Cell
- Real Time Operational Data
- Recipe Management
- Self Diagnostics with Remote Diagnostics Capability
- Semi-Automatic or Integrates to Other Equipment
- Simultaneous Bulk and Singulated Feed
- State of the Art High Speed Electronics
- Storable Set-Up Parameters of up to 500 Parts
- To the Piece Batch Top Off
- Tool-Less Changeover
- cUL & CE Approved Options
- User Friendly Intuitive Set-Up
- Variable Electronic Tuning to Run a Wide Range of Parts
- Verified Motion Control Technology
- Weight to Piece Converter

# BSI BATCHING SYSTEMS, INC.

ENGINEERED AUTOMATED PACKAGING SOLUTIONS

*Applications: Ideal for higher count batches of hard goods to include fasteners, hardware, sporting goods, pet supplies and medical and dental devices, and many others*

**Power Requirements:**

120 VAC, 1 Phase, 60 Hz @ 15 Amps

**Air Requirements:**

No air or gate sensors are required for Belt Feed or Tray Feed. All movements are controlled and verified with stepper motors. FAW24 and FAW24-R requires 80-100 psi, clean dry air

**Footprint:**

37" wide x 47" deep with standard hopper  
Height varies depending on configuration and adjustment

**Part Size Range:**

Product from 1/8" up to 6" long  
Can hold up to 12 pounds of product

**Available Configurations:**

- FAW24 bowl feed
- FAW24-R bowl feed with remote load cell
- FAW-B belt feed
- FAW-BR belt feed with remote load cell
- FAW-T tray feed
- FAW-TR tray feed with remote load cell for large batches

**Feeder Bowls:**

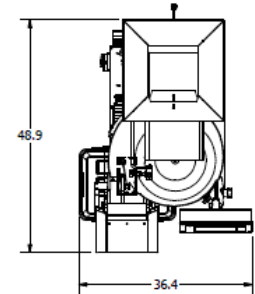
All bowls are the dual output design with bulk feed for 90-95% batch accumulation and singulated to the piece top off feed. Bowls are configured to include ultra-liner for part protection and noise abatement and a conical dissipater for gentle efficient product flow.

*\* Other configurations available for different applications. Remote load cells and larger bowls can be used for larger loads such as 1/4 kegs or large tubs weighing 15 pounds or more*

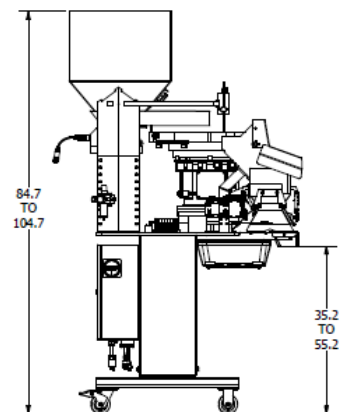
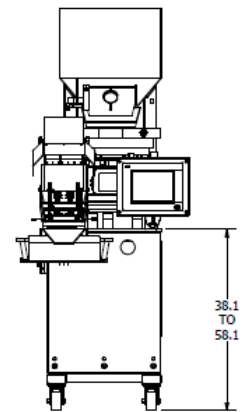
*\* Bulk feed hopper options are available that are engineered to meet your product and operation requirements*



**Dual Outlet Feeder Bowl for Singulated Batch Top Off**



**Patented Dual Chamber Accumulator**



**Machine Footprint Top, Front, and Side View**



High Precision **Weighmaster®** FAW-B Belt Feed with Rotary Bucket Assembly



**Weighmaster®** FAW-TR with remote load cell